




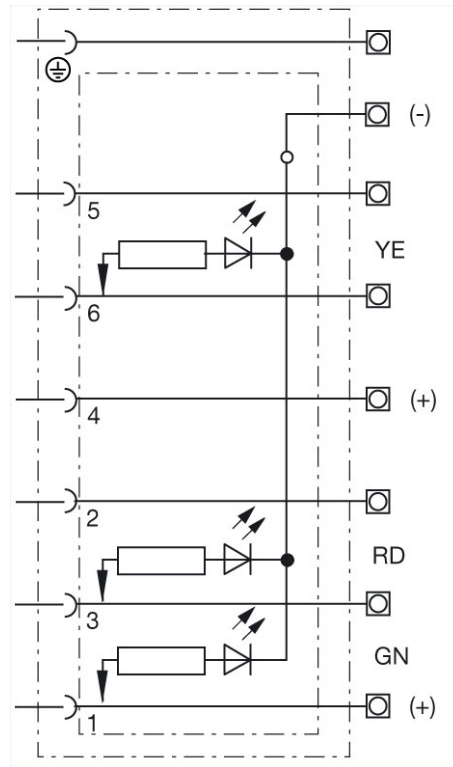
## Product information N6R 3 LED 24

Industrial Connecting Solutions:Circular Connectors:MIL, DIN, Universal Connectors:DIN 43651 Connectors (NR series):Accessories NR-series:N6R 3 LED 24

<https://www.e-catalog.beldensolutions.com:443/link/57078-24228-256281-256284-24367-24374-36314/en/conf/uislate>

Name	N6R 3 LED 24
	
	LED insert with 3 LEDs (green, red, yellow) to indicate operation conditions
<b>Delivery informations</b>	
Availability	available
<b>Product description</b>	
Description	LED insert with 3 LEDs (green, red, yellow) to indicate operation conditions
Type	N6R 3 LED 24
Order No.	831 411-001
<b>Technical data</b>	
Rated voltage	DC 24 V
Rated current	10 A
Contact resistance	<= 5 mOhm
Type of termination	plug in
<b>Environmental conditions</b>	
Temperature range	-40 °C to +90 °C
<b>Packing unit</b>	
Packaging unit	10 pieces
<b>Scope of delivery and accessories</b>	
Accessories to order separately	can be plugged into N6R FF S 11

Picture  
Drawing



**Belden Deutschland GmbH**  
 Im Gewerbepark 2  
 58579 Schalksmühle  
 Germany  
 Phone: +49 7127/14-1806  
 E-Mail: [icos-sales@belden.com](mailto:icos-sales@belden.com)

The information published in the websites has been compiled as carefully as possible. It is subject to alteration without notice in technical as well as in price-related/commercial respect. The complete information and data were available on user documentation. Mandatory information can only be obtained by a concrete query.