




## Product information N6R-40

Industrial Connecting Solutions: Circular Connectors: MIL, DIN, Universal Connectors: DIN 43651 Connectors (NR series): Accessories NR-series: N6R-40

<https://www.e-catalog.beldensolutions.com:443/link/57078-24228-256281-256284-24367-24374-36316/en/conf/ui/state>

Name	N6R-40
	
	Conductive flat gasket
<b>Delivery informations</b>	
Availability	available
<b>Product description</b>	
Description	Conductive flat gasket
Type	N6R-40
Order No.	734 633-001
<b>Material</b>	
O-Ring	NBR
<b>Environmental conditions</b>	
Temperature range	-40 °C to +90 °C
<b>Packaging unit</b>	
Packaging unit	10 pieces
<b>Scope of delivery and accessories</b>	
Accessories to order separately	can be plugged into N6R BM FA S, N11R BM FA S



# HIRSCHMANN

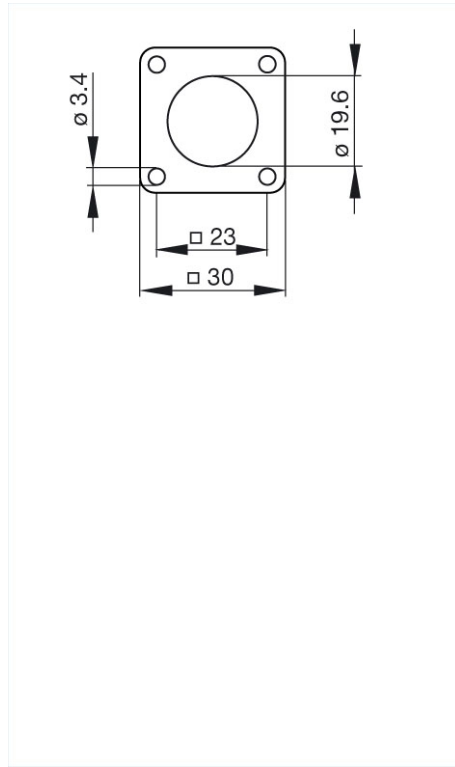
A BELDEN BRAND

Industrial Connecting Solutions: Circular Connectors: MIL, DIN, Universal Connectors: DIN 43651 Connectors (NR series): Accessories NR-series: N6R-40

<https://www.e-catalog.beldensolutions.com:443/link/57078-24228-256281-256284-24367-24374-36316/en/conf/ui/state>

Picture

Drawing



**Belden Deutschland GmbH**

Im Gewerbepark 2

58579 Schalksmühle

Germany

Phone: +49 7127/14-1806

E-Mail: [icos-sales@belden.com](mailto:icos-sales@belden.com)

The information published in the websites has been compiled as carefully as possible. It is subject to alteration without notice in technical as well as in price-related/commercial respect. The complete information and data were available on user documentation. Mandatory information can only be obtained by a concrete query.