



## Product information N11R BM FA S

Industrial Connecting Solutions: Circular Connectors: MIL, DIN, Universal Connectors: DIN 43651 Connectors (NR series): Surface mounted connector: N11R BM FA S

<https://www.e-catalog.beldensolutions.com:443/link/57078-24228-256281-256284-24367-24373-36311/en/conf/uisstate>

Name	N11R BM FA S
	
	Surface-mounted connector with flange
<b>Delivery informations</b>	
Availability	available
<b>Product description</b>	
Description	Surface-mounted connector with flange
Type	N11R BM FA S
Order No.	933 699-001
Type of contact	male
Number of contacts	11 + PE
Conductor size	max. 0.5 mm <sup>2</sup>
Housing Color	grey
<b>Technical data</b>	
Pin dimensions	1.6 mm
Rated voltage	AC 25 V / DC 50 V
Rated current	5 A
Contact resistance	<= 5 mOhm
Type of termination	solder, concave pins
Suitable cables	0.14 mm <sup>2</sup> to 0.5 mm <sup>2</sup>
Mounting	flange
<b>Material</b>	
Contact surface material	Ag
Contact bearer material	PET
Housing material	Zn Al/Ni
<b>Environmental conditions</b>	
Protection class (IEC 60529)	IP 65
Temperature range	-40 °C to +90 °C
<b>Packing unit</b>	
Packaging unit	10 pieces
<b>Scope of delivery and accessories</b>	
Scope of delivery	1 surface-mounted connector, not assembled, in polythene bag with assembly instructions
Accessories to order separately	can be plugged into N11R EF S; protective cover SHK 2, order no. 733 845-001



# HIRSCHMANN

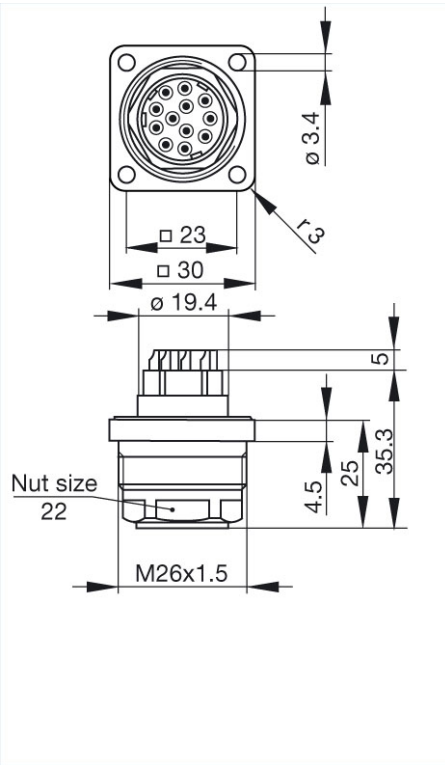
A BELDEN BRAND

Industrial Connecting Solutions: Circular Connectors: MIL, DIN, Universal Connectors: DIN 43651 Connectors (NR series): Surface mounted connector: N11R BM FA S

<https://www.e-catalog.beldensolutions.com:443/link/57078-24228-256281-256284-24367-24373-36311/en/conf/ui/state>

Picture

Drawing



**Belden Deutschland GmbH**

Im Gewerbepark 2

58579 Schalksmühle

Germany

Phone: +49 7127/14-1806

E-Mail: [icos-sales@belden.com](mailto:icos-sales@belden.com)

The information published in the websites has been compiled as carefully as possible. It is subject to alteration without notice in technical as well as in price-related/commercial respect. The complete information and data were available on user documentation. Mandatory information can only be obtained by a concrete query.