




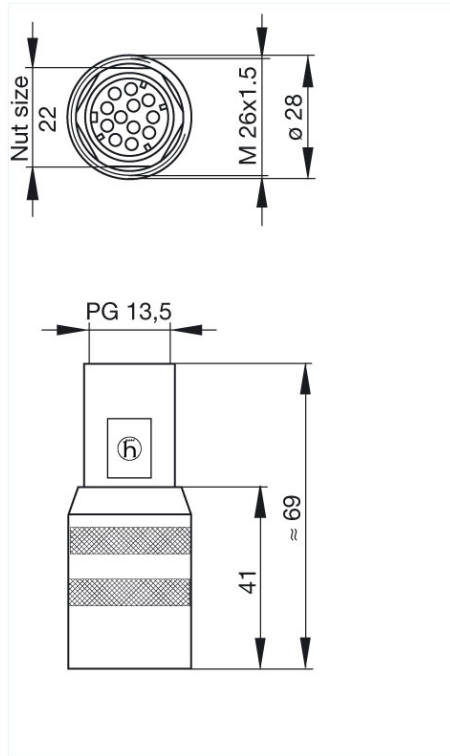
Product information N11R EF S

Industrial Connecting Solutions:Circular Connectors:MIL, DIN, Universal Connectors:DIN 43651 Connectors (NR series):Straight cable socket:N11R EF S

<https://www.e-catalog.beldensolutions.com:443/link/57078-24228-256281-256284-24367-24368-36229/en/conf/ui/state>

Name	N11R EF S
	
	Straight cable socket, shielded,
Delivery informations	
Availability	available
Product description	
Description	Straight cable socket, shielded,
Type	N11R EF S
Order No.	933 700-001
Type of contact	female
Number of contacts	11 + PE
Cable gland	PG 13.5
Conductor size	max. 0.5 mm ²
Standard	DIN 43651
Housing Color	metallic
Technical data	
Pin dimensions	1.6 mm
Rated voltage	AC 25 V / DC 50 V
Rated current	5 A
Contact resistance	<= 5 mOhm
Type of termination	crimp
Suitable cables	0.14 mm ² to 0.5 mm ²
Material	
Contact surface material	Ag
Contact bearer material	PET
Environmental conditions	
Protection class (IEC 60529)	IP 65
Temperature range	-40 °C to +90 °C
Packing unit	
Packaging unit	10 pieces
Scope of delivery and accessories	
Scope of delivery	1 cable sockets, not assembled, in polythene bag, with assembly instructions
Accessories to order separately	can be plugged into N11R AM, N11R AM 5; EMV-PG-cable gland N6R-41 order no. 734 605-001 EMV-PG-cable gland N6R-42 order no. 734 606-001 contacts: RBC 162/1

Picture
Drawing



Belden Deutschland GmbH
Im Gewerbepark 2
58579 Schalksmühle
Germany
Phone: +49 7127/14-1806
E-Mail: icos-sales@belden.com

The information published in the websites has been compiled as carefully as possible. It is subject to alteration without notice in technical as well as in price-related/commercial respect. The complete information and data were available on user documentation. Mandatory information can only be obtained by a concrete query.