

Product: [GDM2106-V3U-10D](#)

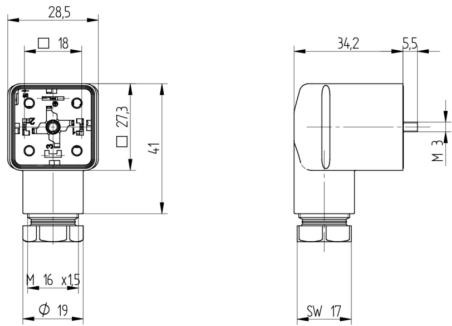


GDM Standard DIN Standard Field Attachable Connector: Form A, 3-pin (2+1PE; PE across cable outlet), black housing, screw type, M16; with bridge rectifier and varistor, 230 V AC/DC, 1 A

Product Description

GDM Standard DIN Standard Field Attachable Connector: Form A, 3-pin (2+1PE; PE across cable outlet), black housing, screw type, M16; with bridge rectifier and varistor, 230 V AC/DC, 1 A

Technical Drawing



DIN EN 175305-803
IP65, IP 67
Kabelfunktion: 0,5 bis 0,8 mm (SD) bis 30,2 mm
Leitungsleiter: AWG 20 - AWG 14

Achtung!
Steckerhörer nicht unter Last oder Spannung stecken / remove!

Wichtig!
Vor dem Einstecken des Steckers in die Buchse muss die Spannung an der Buchse abgelesen werden und sicher sein, dass die Spannung nicht über 230 V AC/DC beträgt. Bei einer Spannung über 230 V AC/DC ist die Buchse nicht zu stecken. Bei einer Spannung über 230 V AC/DC ist die Buchse nicht zu stecken. Bei einer Spannung über 230 V AC/DC ist die Buchse nicht zu stecken.

Wichtige Hinweise
Dieses Produkt ist ein elektrisches Bauteil, das für die Verwendung in einem elektrischen System vorgesehen ist. Es ist nicht für die Verwendung in einem explosiven Umfeld geeignet. Bitte lesen Sie die Bedienungsanleitung sorgfältig durch, bevor Sie das Produkt verwenden. Die Verwendung dieses Produkts ist nur für die Zwecke, die in der Bedienungsanleitung angegeben sind. Die Hirschmann Group ist nicht für Schäden verantwortlich, die aus der Verwendung dieses Produkts resultieren. Die Hirschmann Group ist nicht für Schäden verantwortlich, die aus der Verwendung dieses Produkts resultieren. Die Hirschmann Group ist nicht für Schäden verantwortlich, die aus der Verwendung dieses Produkts resultieren.

Montage

1. Leitungsüberprüfung, Kabeldurchmesser / Arrangement

GDM206	10 x 1,5	0,8 - 0,9 mm	150 Nm
GDM208	10 x 2	0,9 - 1,0 mm	150 Nm
GDM210	10 x 2,5	1,0 - 1,1 mm	150 Nm
GDM212	10 x 3	1,1 - 1,2 mm	150 Nm
GDM214	10 x 4	1,2 - 1,3 mm	150 Nm
GDM216	10 x 5	1,3 - 1,4 mm	150 Nm

2. Schraubentighten

Überspannung / Arrangement / Elektr. Werte

AWG 20	40 Nm	64 / 300 V AC/DC
AWG 18	40 Nm	100 / 300 V AC/DC
AWG 16	40 Nm	150 / 300 V AC/DC
AWG 14	40 Nm	200 / 300 V AC/DC

3. Steckereinsatz

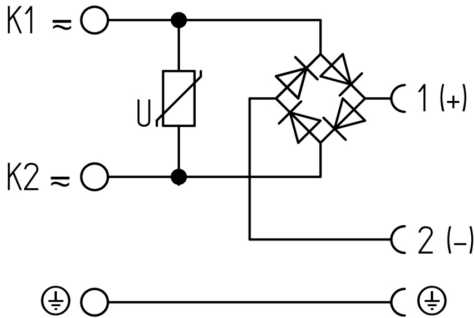
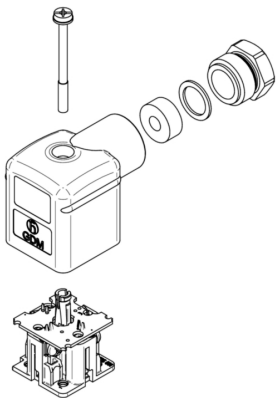
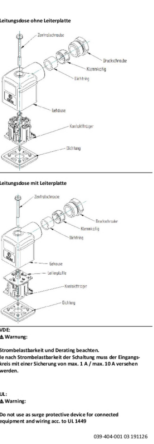
M 3x6	4,5	10 Nm
M 3x8	7,5	10 Nm
M 3x10	10,5	10 Nm
M 3x12	13,5	10 Nm

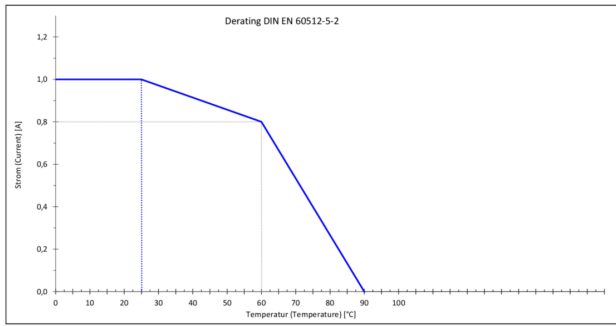
4. Leitung Adern, Abblending

5. Comp Standard für Leitungen ohne Adernabblending

6. Comp Standard für Leitungen mit Adernabblending

Typ/Modell	Justiz Power Triax
Leitungsart	SD/SD
Leitungsart	SD/SD
Leitungsart	SD/SD





Technical Specifications

Technical Data

Product Family:	Valve Connectors
Product Sub Family:	GDM Standard
Brand:	Hirschmann
Connector Type:	Field attachable
Type of Contact / Gender:	Female
Connector Design:	Angled
Number of Pins:	2+PE (PE across cable outlet)
Coding:	A
Shielding:	Unshielded
Attachment Type:	Central Screw
Replacement for:	ID: 934407106 Name: GDML 2016 GB 1 grau (Black Housing instead of Grey)
Rated Impulse Voltage:	4.0 kV (PCBA 2.0 kV)
Operating Voltage:	230 V AC/DC
Rated Current*:	1 A
Contact Resistance:	≤ 10 mOhm
Insulation Resistance:	> 10 ⁹ Ohm
Mating Cycles:	≤ 50
Type of Connection:	Screw
Cable Gland:	M16
Conductor Cross Section:	0.25 - 1.5 mm ²
Suitable Cables:	Ø 4.5 - 10 mm
Ambient Temperature (Operation)*:	-40 °C - +125 °C
Protection Degree / IP Rating**:	IP65
Design Standard:	DIN EN 175301-803-A, ISO 4400
Pollution Degree:	3 acc. to DIN EN 60664-1 (VDE 0110-1)
Clearance / Creepage Distance:	DIN EN 60664-1 (2008/01); VDE 0110-1
Overvoltage Category:	III acc. to DIN EN 60664-1 (VDE 0110-1)

Materials

Contact Base Material:	CuZn
Contact Plating:	Cu/Sn
Contact Bearer Material:	PA GF
Contact Bearer Color:	black
Flammability Class (Contact Bearer):	UL 94 HB
Housing Material:	PA GF
Housing Color:	Black
Flammability Class (Housing):	UL 94 HB
Cable Gland Material:	PA GF
Cable Gland Gasket:	NBR

Cable Gland Color:	Black
Attachment Material:	Steel, Philips combi slot
Gasket Material:	Sold separately

Protection Circuitry

Bridge Rectifier:	yes
Protective Circuit:	Varistor

Additional Technical Data

Fastening Torque (Contact Screw):	(40-50) Ncm for conductor size 0.25 - 1.5 mm ² ; (30-40) Ncm for conductor size 0.34 mm ² ; (25-30) Ncm for conductor size 0.25 mm ²
Fastening Torque (Cable Gland):	(150-200) Ncm
Fastening Torque (Attachment):	(50-60) Ncm

Approvals

VDE:	yes
SEV:	yes

Safety & Environmental Compliance

RoHS Compliant:	yes
-----------------	-----

Notes

Note Derating:	Notice derating
Protection Degree / IP Rating Note:	** only if mounted and locked in combination with Hirschmann / Lumberg Automation connector.
Note:	Do not connect or disconnect under load.

Variants

Item #	Item Description	Replacement For
934888038	GDM2106-V3U-10D	ID: 934407106 Name: GDML 2016 GB 1 grau (Black Housing instead of Grey)

© 2020 Belden, Inc

All Rights Reserved.

Although Belden makes every reasonable effort to ensure their accuracy at the time of this publication, information and specifications described here in are subject to error or omission and to change without notice, and the listing of such information and specifications does not ensure product availability.

Belden provides the information and specifications herein on an "ASIS" basis, with no representations or warranties, whether express, statutory or implied. In no event will Belden be liable for any damages (including consequential, indirect, incidental, special, punitive, or exemplary damages) whatsoever, even if Belden has been advised of the possibility of such damages, whether in an action under contract, negligence or any other theory, arising out of or in connection with the use, or inability to use, the information or specifications described herein.

All sales of Belden products are subject to Belden's standard terms and conditions of sale.

Belden believes this product to be in compliance with all applicable environmental programs as listed in the data sheet. The information provided is correct to the best of Belden's knowledge, information and belief at the date of its publication. This information is designed only as a general guide for the safe handling, storage, and any other operation of the product itself or the one that it becomes a part of. The Product Disclosure is not to be considered a warranty or quality specification. Regulatory information is for guidance purposes only. Product users are responsible for determining the applicability of legislation and regulations based on their individual usage of the product.