


Product: [GDM21F6-S44-10D](#) 

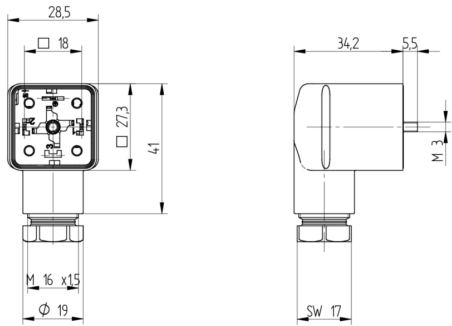


GDM Standard DIN Standard Field Attachable Connector: Form A, 3-pin (2+1PE; PE across cable outlet), transparent housing, screw type, M16; with bridge rectifier, suppressor diode and yellow LED, 24 V AC/DC, 1 A

Product Description

GDM Standard DIN Standard Field Attachable Connector: Form A, 3-pin (2+1PE; PE across cable outlet), transparent housing, screw type, M16; with bridge rectifier, suppressor diode and yellow LED, 24 V AC/DC, 1 A

Technical Drawing



DIN EN 175305 A03
IP65, IP 67
Kabelfestigkeit: 0,5 Nm, 0,8 mm (S2) bis 30,2 mm
Leitungsstärke: AWG 20 - AWG 14
Achtung!
Steckerbrüder nicht unter Last oder Spannung stecken / remove!

Sicherheitsrelevante Hinweise
Dieses Produkt enthält ein Netzteil, das für die Verwendung in gefährlichen Umgebungen bestimmt ist. Die Verwendung dieses Produkts in anderen Umgebungen kann zu schweren Schäden an der Person und an der Umwelt führen. Lesen Sie die Bedienungsanleitung sorgfältig durch, bevor Sie das Produkt verwenden.
Wichtig!
Dieses Produkt ist ein Hochspannungsprodukt. Die Verwendung dieses Produkts in anderen Umgebungen kann zu schweren Schäden an der Person und an der Umwelt führen. Lesen Sie die Bedienungsanleitung sorgfältig durch, bevor Sie das Produkt verwenden.
Wichtig!
Dieses Produkt ist ein Hochspannungsprodukt. Die Verwendung dieses Produkts in anderen Umgebungen kann zu schweren Schäden an der Person und an der Umwelt führen. Lesen Sie die Bedienungsanleitung sorgfältig durch, bevor Sie das Produkt verwenden.

Montage

1. Leitungsanordnung, Kabelauswahl / Anmessung

| | | | |
|-------|----------|--------------|--------|
| GDM20 | 50 x 5 | 0,8 - 0,8 mm | 150 Nm |
| GDM21 | 75 x 1 | 0,8 - 0,8 mm | 150 Nm |
| GDM22 | 80 x 1 | 0,8 - 0,8 mm | 150 Nm |
| GDM23 | 75 x 1 | 0,8 - 0,8 mm | 150 Nm |
| GDM24 | 75 x 1 | 0,8 - 0,8 mm | 150 Nm |
| GDM25 | 100 x 25 | 0,8 - 0,8 mm | 150 Nm |

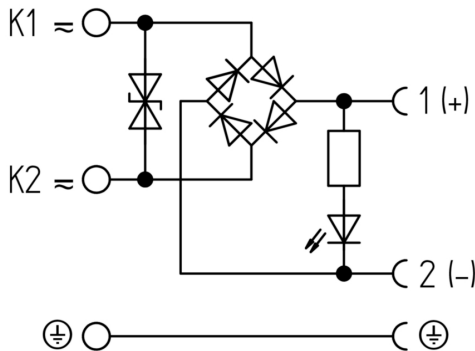
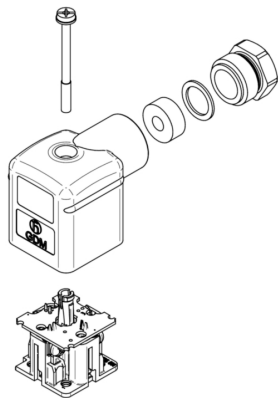
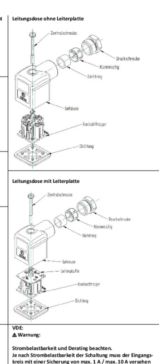
2. Schutzkategorie / Anmessung / Elektr. Werte

| | | |
|--------|-------|------------------------|
| AWG 20 | 40 Nm | 60 / 300 V a.c./d.c. |
| AWG 18 | 40 Nm | 250 / 300 V a.c./d.c. |
| AWG 16 | 40 Nm | 500 / 300 V a.c./d.c. |
| AWG 14 | 40 Nm | 1000 / 300 V a.c./d.c. |

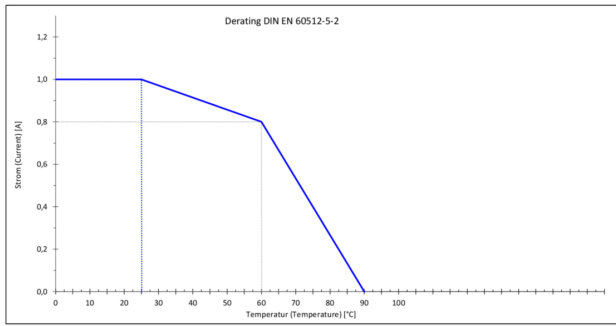
3. Betriebskategorie / Anmessung / Elektr. Werte

| | | |
|--------|-------|------------------------|
| AWG 20 | 40 Nm | 60 / 300 V a.c./d.c. |
| AWG 18 | 40 Nm | 250 / 300 V a.c./d.c. |
| AWG 16 | 40 Nm | 500 / 300 V a.c./d.c. |
| AWG 14 | 40 Nm | 1000 / 300 V a.c./d.c. |

4. Leitung Adern, Abblindung



WICHTIG!
Steckerbrüder nicht unter Last oder Spannung stecken / remove!
Do not use or surge protective device for connected equipment otherwise, see to UL 544



Technical Specifications

Technical Data

| | |
|-----------------------------------|---|
| Product Family: | Valve Connectors |
| Product Sub Family: | GDM Standard |
| Brand: | Hirschmann |
| Connector Type: | Field attachable |
| Type of Contact / Gender: | Female |
| Connector Design: | Angled |
| Number of Pins: | 2+PE (PE across cable outlet) |
| Coding: | A |
| Shielding: | Unshielded |
| Attachment Type: | Central Screw |
| Rated Impulse Voltage: | 4.0 kV (PCBA 2.0 kV) |
| Operating Voltage: | 24 V AC/DC |
| Rated Current*: | 1 A |
| Contact Resistance: | ≤ 10 mOhm |
| Insulation Resistance: | > 10 ⁹ Ohm |
| Mating Cycles: | ≤ 50 |
| Type of Connection: | Screw |
| Cable Gland: | M16 |
| Conductor Cross Section: | 0.25 - 1.5 mm ² |
| Suitable Cables: | Ø 4.5 - 10 mm |
| Ambient Temperature (Operation)*: | -25 °C - +90 °C |
| Protection Degree / IP Rating**: | IP65 |
| Design Standard: | DIN EN 175301-803-A, ISO 4400 |
| Pollution Degree: | 3 acc. to DIN EN 60664-1 (VDE 0110-1) |
| Clearance / Creepage Distance: | DIN EN 60664-1 (2008/01); VDE 0110-1 |
| Overvoltage Category: | III acc. to DIN EN 60664-1 (VDE 0110-1) |

Materials

| | |
|--------------------------------------|-------------|
| Contact Base Material: | CuZn |
| Contact Plating: | Cu/Sn |
| Contact Bearer Material: | PA GF |
| Contact Bearer Color: | black |
| Flammability Class (Contact Bearer): | UL 94 HB |
| Housing Material: | PA GF |
| Housing Color: | Transparent |
| Flammability Class (Housing): | UL 94 HB |
| Cable Gland Material: | PA GF |
| Cable Gland Gasket: | NBR |
| Cable Gland Color: | Black |

| | |
|----------------------|---------------------------|
| Attachment Material: | Steel, Philips combi slot |
| Gasket Material: | Sold separately |

Protection Circuitry

| | |
|---------------------|------------------|
| Function Indicator: | Yellow LED |
| Bridge Rectifier: | yes |
| Protective Circuit: | Suppressor diode |

Additional Technical Data

| | |
|-----------------------------------|---|
| Fastening Torque (Contact Screw): | (40-50) Ncm for conductor size 0.25 - 1.5 mm ² ; (30-40) Ncm for conductor size 0.34 mm ² ; (25-30) Ncm for conductor size 0.25 mm ² |
| Fastening Torque (Cable Gland): | (150-200) Ncm |
| Fastening Torque (Attachment): | (50-60) Ncm |

Approvals

| | |
|------|-----|
| VDE: | yes |
| SEV: | yes |

Safety & Environmental Compliance

| | |
|-----------------|-----|
| RoHS Compliant: | yes |
|-----------------|-----|

Notes

| | |
|-------------------------------------|--|
| Note Derating: | Notice derating |
| Protection Degree / IP Rating Note: | ** only if mounted and locked in combination with Hirschmann / Lumberg Automation connector. |
| Note: | Do not connect or disconnect under load. |

Variants

| Item # | Item Description |
|-----------|------------------|
| 934888029 | GDM21F6-S44-10D |

© 2020 Belden, Inc

All Rights Reserved.

Although Belden makes every reasonable effort to ensure their accuracy at the time of this publication, information and specifications described here in are subject to error or omission and to change without notice, and the listing of such information and specifications does not ensure product availability.

Belden provides the information and specifications herein on an "ASIS" basis, with no representations or warranties, whether express, statutory or implied. In no event will Belden be liable for any damages (including consequential, indirect, incidental, special, punitive, or exemplary damages) whatsoever, even if Belden has been advised of the possibility of such damages, whether in an action under contract, negligence or any other theory, arising out of or in connection with the use, or inability to use, the information or specifications described herein.

All sales of Belden products are subject to Belden's standard terms and conditions of sale.

Belden believes this product to be in compliance with all applicable environmental programs as listed in the data sheet. The information provided is correct to the best of Belden's knowledge, information and belief at the date of its publication. This information is designed only as a general guide for the safe handling, storage, and any other operation of the product itself or the one that it becomes a part of. The Product Disclosure is not to be considered a warranty or quality specification. Regulatory information is for guidance purposes only. Product users are responsible for determining the applicability of legislation and regulations based on their individual usage of the product.